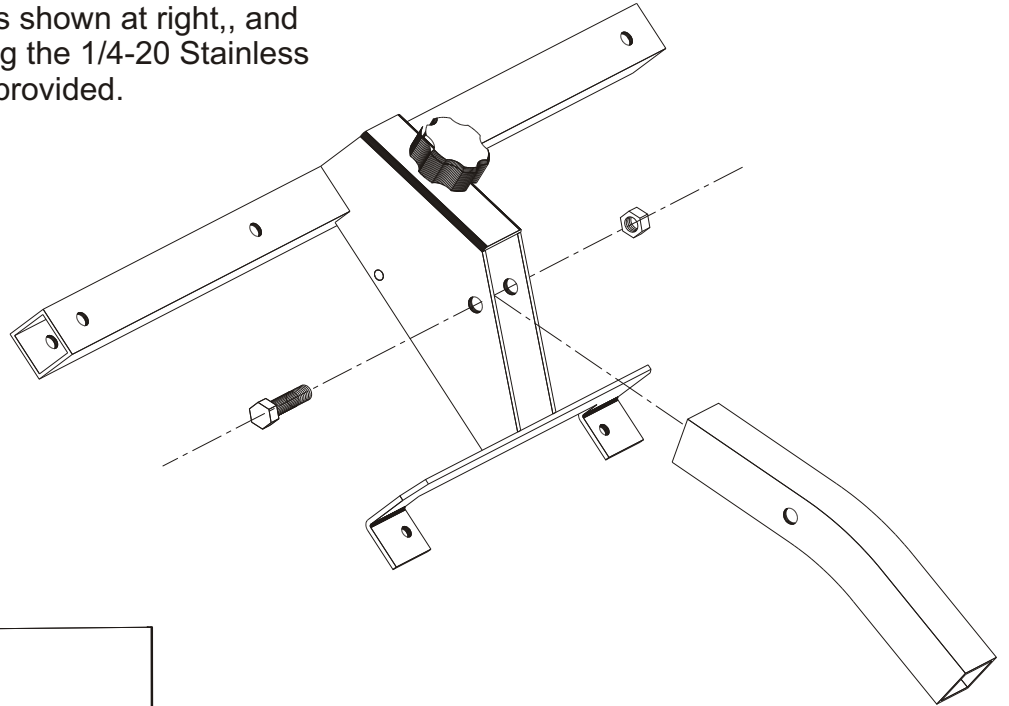


Assemble Mounting bracket as shown at right,, and attach to the VSC display using the 1/4-20 Stainless Steel Bolts and lock-washers provided.



ATTENTION
Cut stand to length

It is intended that the VSC stand be cut to length.

As supplied, the center post is taller than may be necessary or preferable. Before use, determine the appropriate height for your application, and cut the center post to length using a hack saw.

The legs are also made especially long, and, if necessary, can be shortened as well.

In determining the center post height and leg length, keep in mind the effects of wind; a very tall center post with very short legs is obviously a poor choice for an area where the VSC system may be subjected to high winds.

