

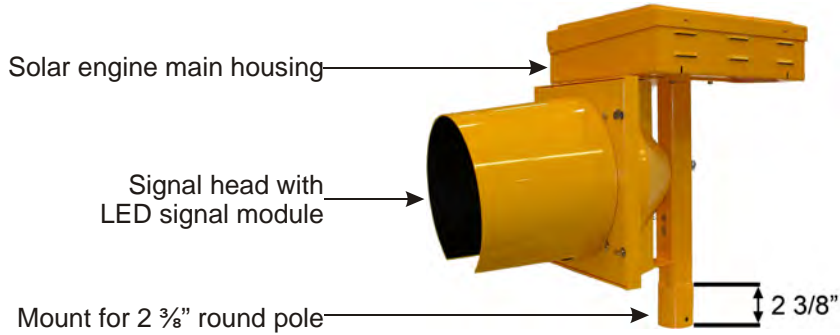


## **OWNER'S MANUAL SUPPLEMENT**

### **Roadway Beacons Component Identification and Mounting Options**

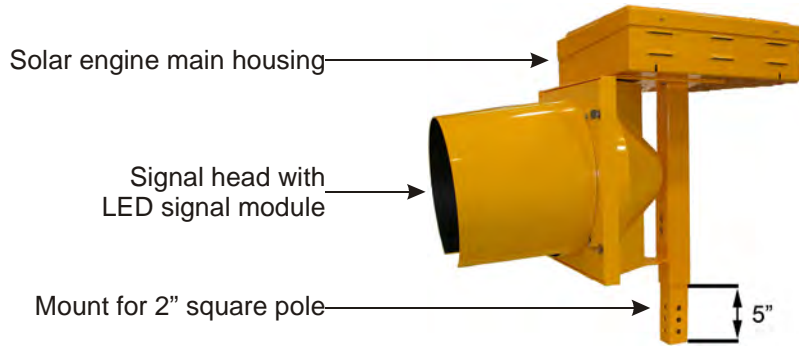
# Component Identification and Mounting Options

## Single Beacon Sign Post Round



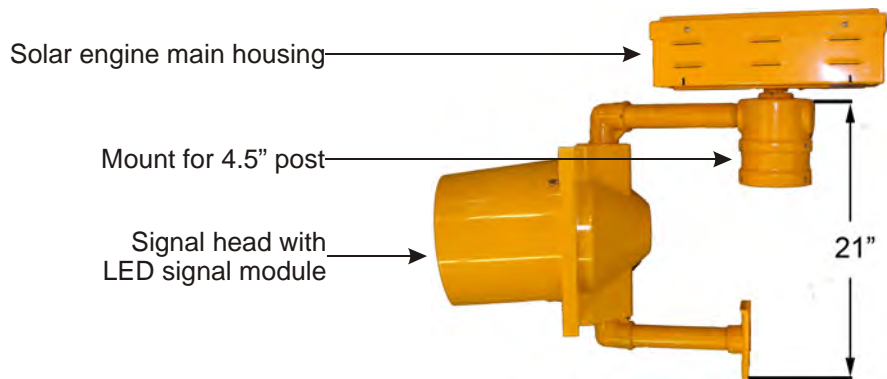
Tilt option available

## Single Beacon Sign Post Square



Tilt option available

## Single Beacon 4.5" Post

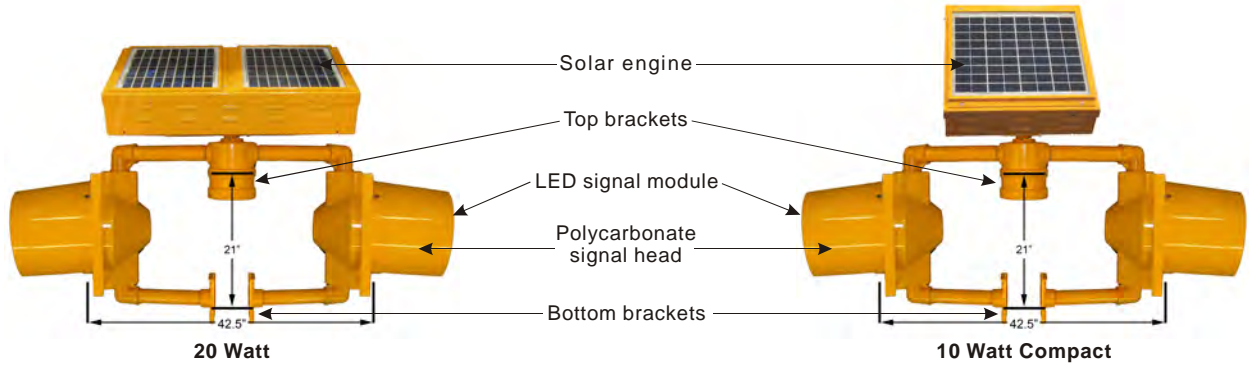


Tilt option available

## Dual Beacon Horizontal



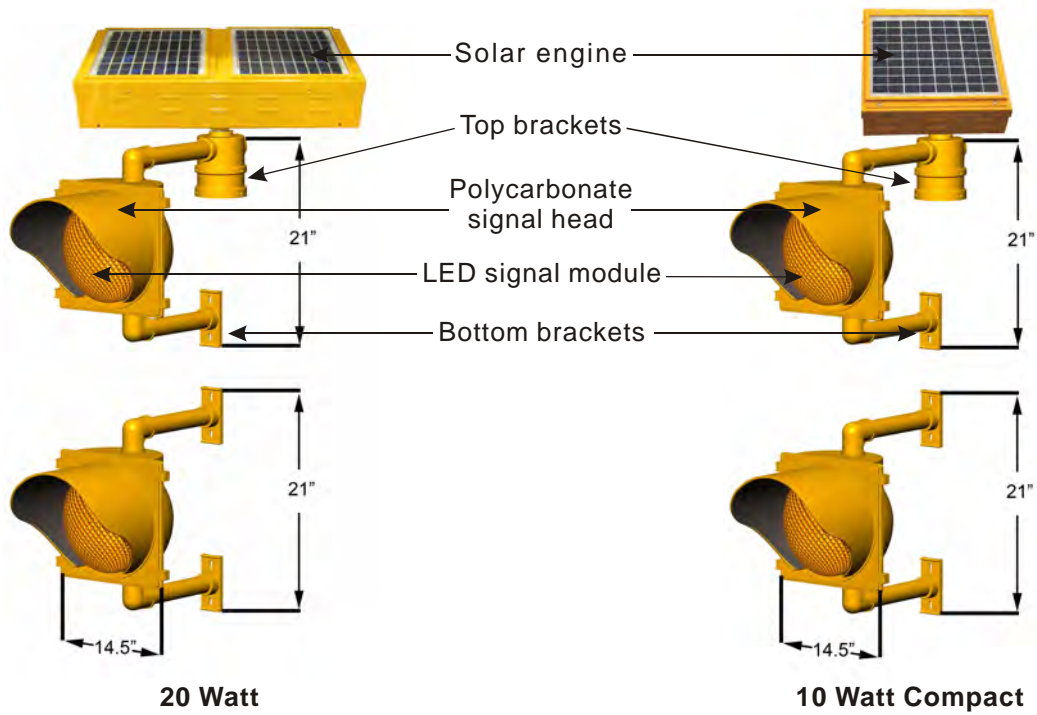
Tilt option available



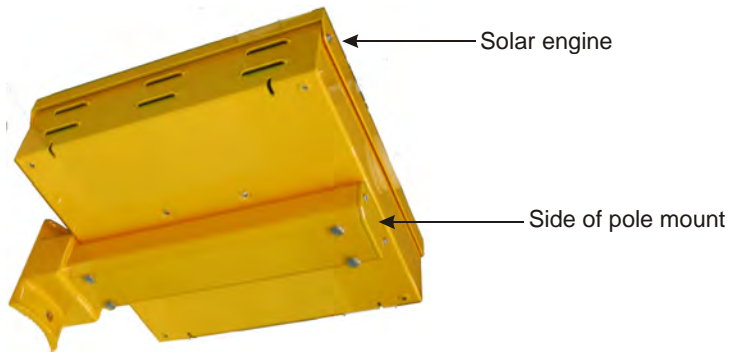
## Dual Beacon Vertical



Tilt option available




## Side of Pole Mount





Tilt option available




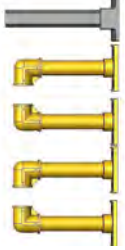
## Components


	<ul style="list-style-type: none"> <li>53162 – Black</li> <li>53163 – Green</li> <li>53164 – Yellow</li> <li>53159 – Black, with Radio</li> <li>53160 – Green, with Radio</li> <li>53161 – Yellow, with Radio</li> </ul>
<p>20 Watt Solar Engine</p>	<p><b>A</b></p>


	<ul style="list-style-type: none"> <li>47357 – Black</li> <li>48814 – Green</li> <li>48812 – Yellow</li> <li>50227 – Black, with Radio</li> <li>50226 – Green, with Radio</li> <li>50228 – Yellow, with Radio</li> </ul>
<p>Compact 10 Watt Solar Engine</p>	<p><b>B</b></p>

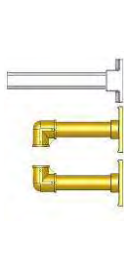
	<p>47360 – Black 47361 – Green 47362 – Yellow</p>
<p>1.75" Square Pole Mount</p>	<p><b>C</b></p>


	<p>47370 – Black 47371 – Green 47372 – Yellow</p>
<p>2.5" Round Pole Mount</p>	<p><b>D</b></p>

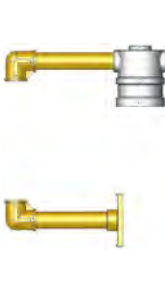
	<p>53170 – Black 53171 – Green 53172 – Yellow</p>
<p>Dual Side Pole Mount</p>	<p><b>E</b></p>


	<p>53167 – Black 53168 – Green 53169 – Yellow</p>
<p>Single Side Pole Mount</p>	<p><b>F</b></p>

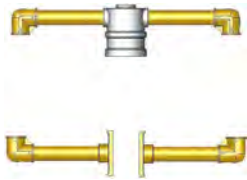
	<p>48912 – Black 48913 – Green 48914 – Yellow</p>
<p>Dual Side Pole Mount, no wedge</p>	<p><b>G</b></p>


	<p>48909 – Black 48910 – Green 48911 – Yellow</p>
<p>Single Side Pole Mount, no wedge</p>	<p><b>H</b></p>

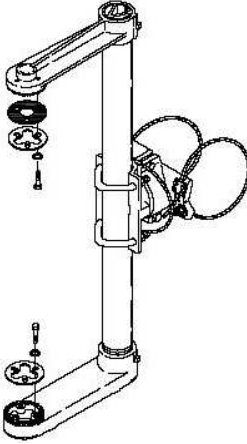
	<p>51024 – Black 51025 – Green 51026 – Yellow</p>
<p>Dual Vertical Top Pole Mount</p>	<p><b>I</b></p>

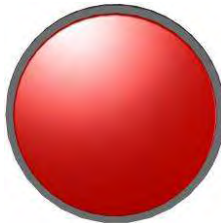
	<p>51021 – Black 51022 – Green 51023 – Yellow</p>
<p>Single Top Pole Mount</p>	<p><b>J</b></p>

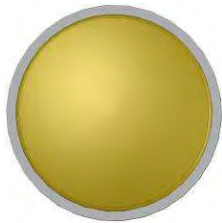
	<p>48915 – Black 48916 – Green 48917 – Yellow</p>
<p>Third LED Mount <span style="float: right;"><b>K</b></span></p>	

	<p>51018 – Black 51019 – Green 51020 – Yellow</p>
<p>Dual Horizontal Top Pole Mount <span style="float: right;"><b>L</b></span></p>	


	<p>51027 –Black 51028 – Green 51029 – Yellow</p>
<p>Square Wood Post Mount <span style="float: right;"><b>M</b></span></p>	


	<p>48918</p>
<p>Overhead Mast-Arm Mount <span style="float: right;"><b>N</b></span></p>	


	<p>47553 – Amber 48820 – Red</p>
<p>12" LED Light <span style="float: right;"><b>O</b></span></p>	


	<p>50525 – Yellow</p>
<p>8" LED Light <span style="float: right;"><b>P</b></span></p>	


	<p>48941 – Upload Housing Kit, Calendar Upload and Override Switch 48947 – R829 Calendar Programming Kit</p>
<p>Upload/Program Kit <span style="float: right;"><b>Q</b></span></p>	

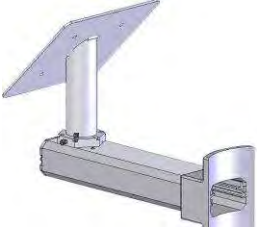
	<p>48919 – Push Button Switch</p>
<p>Switch <span style="float: right;"><b>R</b></span></p>	


	<p>47256 – Internal Enclosure for Pager Assembly, includes Harness</p>
<p>Pager Assembly <b>S</b></p>	


	<p>47504 – Black 47505 – Green 47506 – Yellow</p>
<p>Pelco Pipe Adaptor – Mounts to G, H, J, K <b>T</b></p>	

	<p>48927 – Black 47374 – Green 47375 – Yellow</p>
<p>Horizontal Mount Support Arm Assembly, no wedge <b>U</b></p>	

	<p>46560 – Black 46561 – Green 46562 – Yellow</p>
<p>Horizontal Mount Solar Engine Support Arm <b>V</b></p>	

	<p>51719 – Tilt Mount, Top Plate Assembly Kit, Fixed Wedge Horizontal Mount, Black 51718 – Tilt Mount, Top Plate Assembly Kit, Fixed Wedge Horizontal Mount, Green 51717 – Tilt Mount, Top Plate Assembly Kit, Fixed Wedge Horizontal Mount, Yellow</p>
<p>Side of Pole Tilt-Mount <b>W</b></p>	

	<p>50573 – Tilt Mount, Top Plate Assembly Kit, Black 50572 – Tilt Mount, Top Plate Assembly Kit, Green 50571 – Tilt Mount, Top Plate Assembly Kit, Yellow</p>
<p>Tilt-Mount: Mounts to G, H, J and K <b>X</b></p>	

	<p>52333 – Tilt Mount, Top Plate and Base Plate Assembly Kit, Black 52332 – Tilt Mount, Top Plate and Base Plate Assembly Kit, Green 52331 – Tilt Mount, Top Plate and Base Plate Assembly Kit, Yellow</p>
<p>Tilt-Mount – Mounts C and D <b>Y</b></p>	



© 2008, Carmanah Technologies Corporation  
[www.carmanah.com](http://www.carmanah.com)

**Technical Support:** [customerservice@carmanah.com](mailto:customerservice@carmanah.com)  
Toll Free in Canada and the U.S.: 1.877.722.8877  
International: + 250.380.0052 | Fax: + 250.389.0040

Number: Roadway\_Beacon\_Mounting\_Options\_57141\_Manual\_vC