
SC315 RRFB CONTROLLER AND POLARA MODEL X VOICE CHIP REPLACEMENT

The following is an instruction for replacing the voice chip on the Polara Model X talking push button control board within the Carmanah SC315 control cabinet.

Note:

This applies to both the SC315-AC and SC315 solar-powered RRFB controllers.

Note:

During this procedure, please observe proper handling precautions for static sensitive devices:

- Transport and store voice chips in ESD protective bags or on ESD protective foam
- Wear an ESD wrist-strap connected to ground when handling voice chips outside of protective bags
- Do not touch pins on voice chips

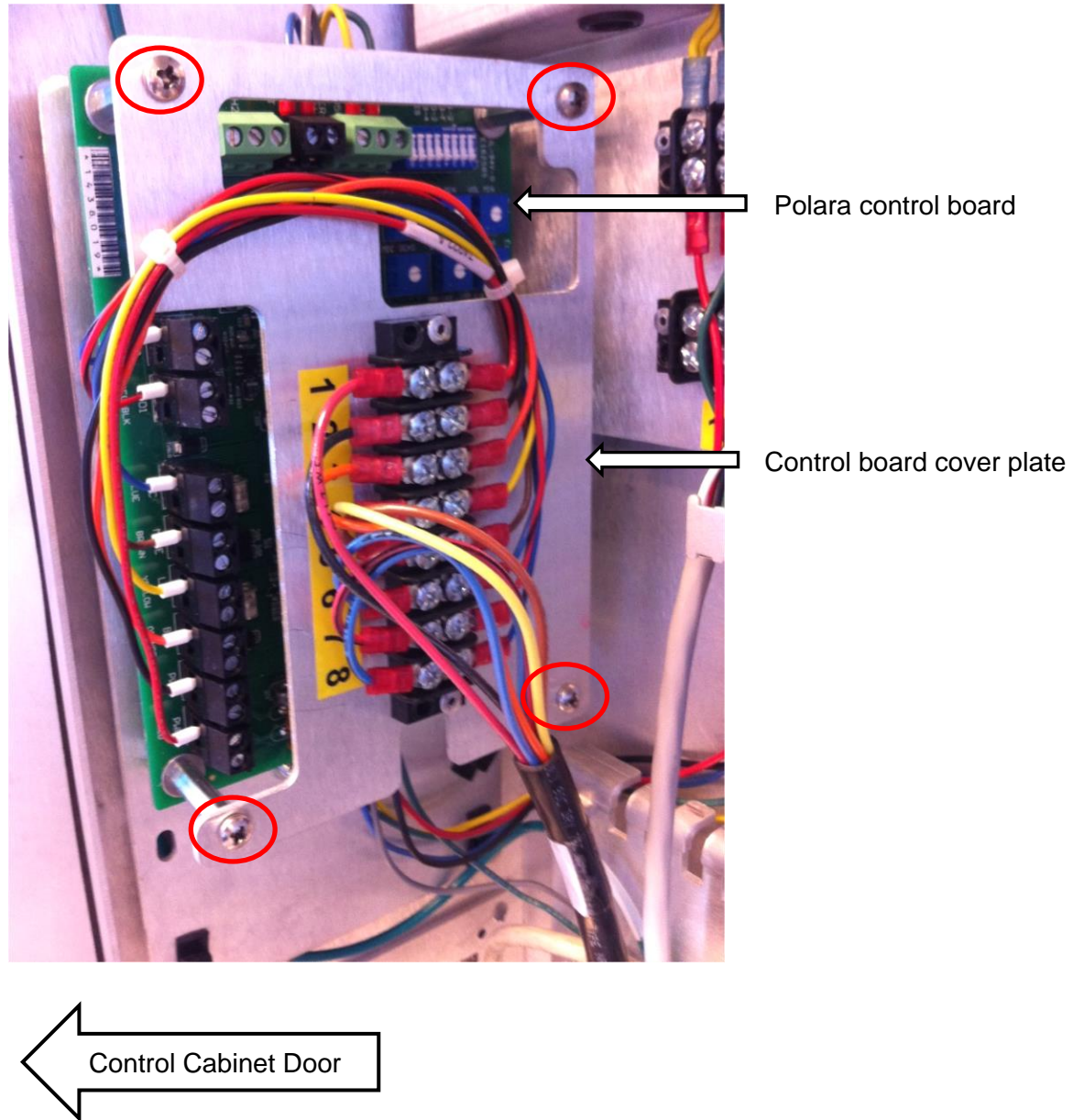


Polara voice chip assembly



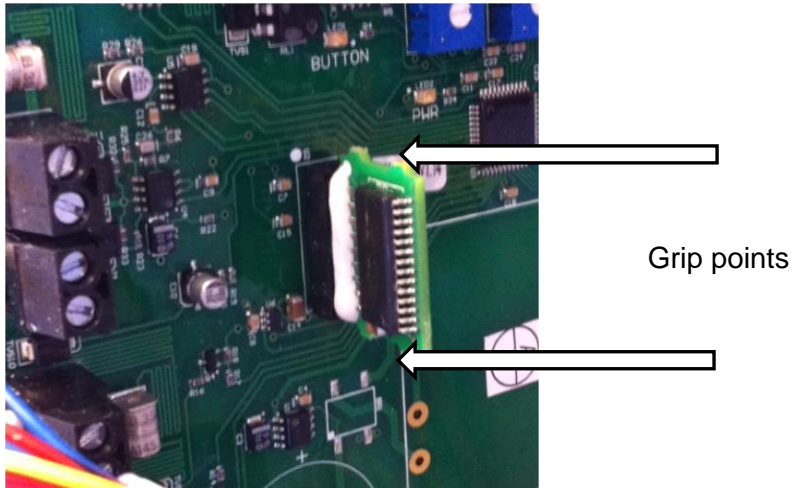
Instructions for changing voice chips:

1. Disconnect power from the SC315 controller.
2. Remove screws in all four corners of control board cover plate.



4. Remove existing voice chip assembly.

Grasp the voice chip assembly at either end of the small (green) circuit board between the thumb and forefinger and carefully work it out of the socket on the Polara control board.



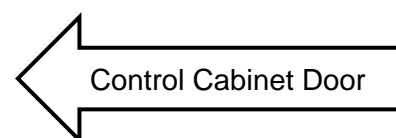
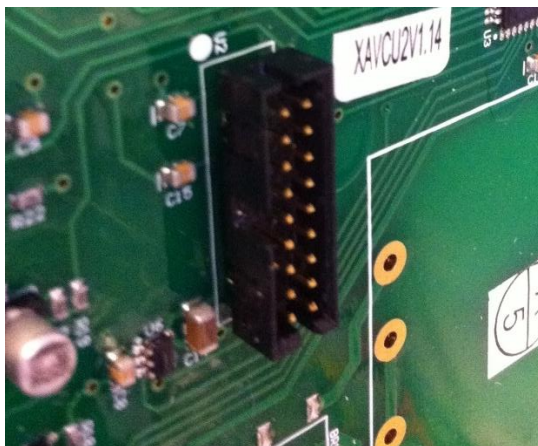
5. Install new voice chip assembly.

Carefully press voice chip assembly into socket on Polara control board.

Use minimal pressure, ensuring that the voice chip assembly is aligning correctly with the mating pins in the socket on the Polara control board. **DO NOT FORCE.**

NOTE:

****Chip assembly must be oriented with the voice chip facing the opening of the control cabinet.**



6. Restore power to the controller.
7. Test RRFB system for correct operation.
8. Disconnect power to the SC315 controller.
9. Replace control board cover plate.
10. Restore power to the SC315 controller.

For inquiries regarding the correct set-up and operation of Carmanah traffic products, please contact customerservice@carmanah.com

For additional information regarding the procedure described above, please contact: salesengineering@carmanah.com